

Safe TOTS

www.safetots.co.uk

Safetots Putaway Wooden Highchair



Suitable for children from the age of 6 months to 36 months.

This highchair complies with the EN71-1:2011, EN71-2:2011, EN71-3:2013

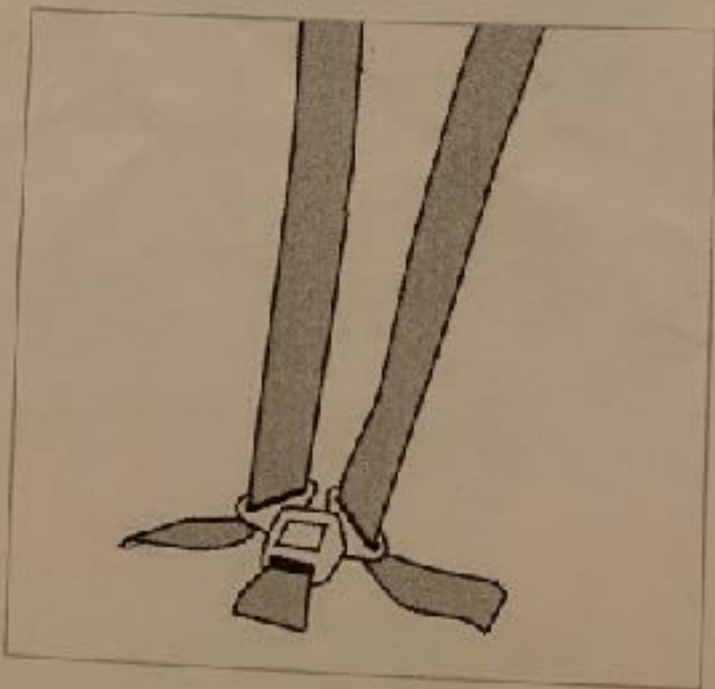
Thank you for choosing a Safetots Highchair. All our products are carefully designed with your baby's safety as our utmost priority.

To ensure correct and safe assembly and use please read the important safety notices and follow the instructions provided.

Diagram

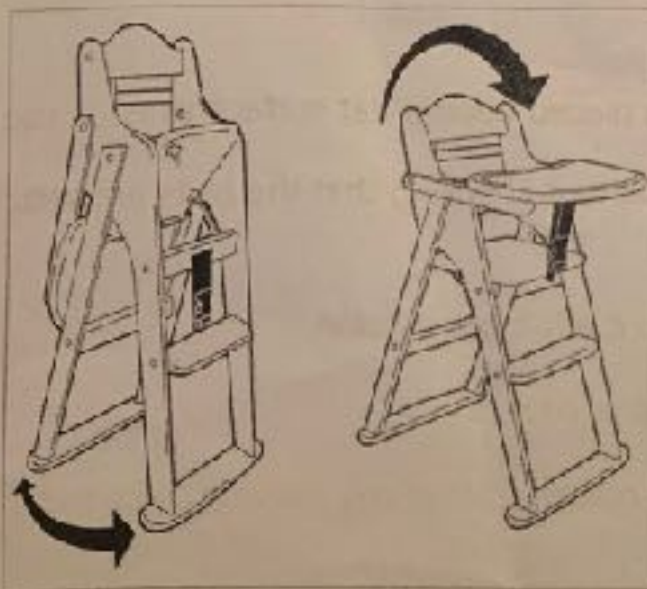


Operation



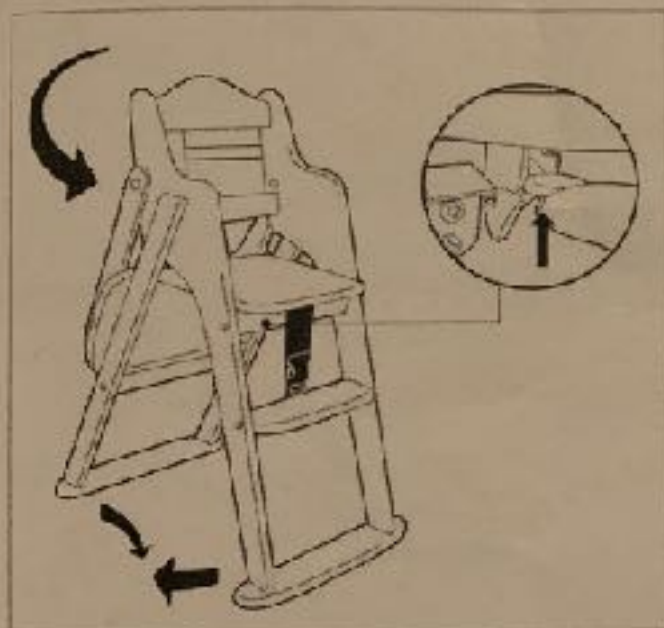
Using the Five Point Harness

When using the Highchair always make sure that your child is strapped into the five point harness, this is done by fitting the child's legs through the bottom straps with one strap on either side and the middle strap between the legs. Position the top two shoulder straps over each shoulder and clicking all five straps into place in the centre. Finally adjust the straps so that they sit securely on your child's body to prevent injury.



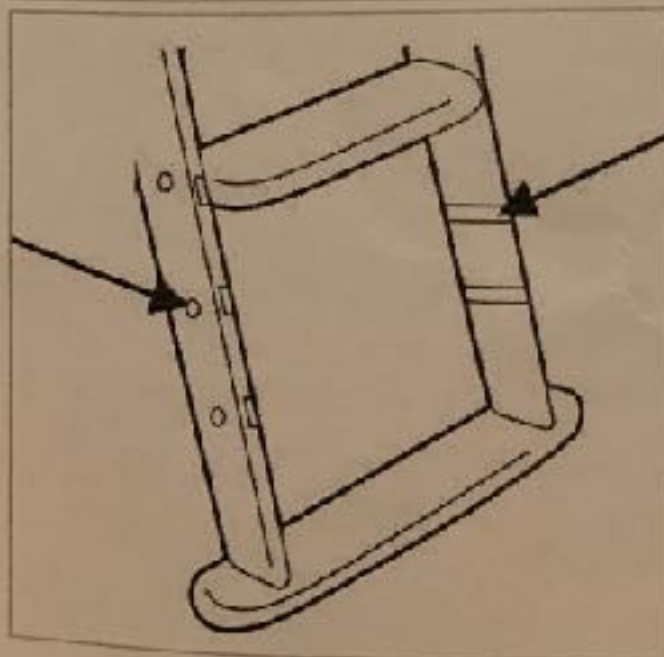
Unfolding the Highchair

To unfold the Highchair first pull the front and back base bars apart as shown in the diagram, then fold the tray over the frame of the seat allowing the latch on the bottom to slide into the locked position. Click the two halves of the tray strap together to provide maximum stability.



Folding the Highchair

To fold the Highchair lift the latch under the seat and raise the tray over the seat so that it touches the back of the chair. Then fold the front and back base bars inwards as shown in the diagram.



Adjusting the Foot Plate

To ensure maximum safety please adjust the height of the foot plate to fit your child. This is done by unscrewing the two holes on either side of the frame and sliding the wooden plate out of the groove. To reposition the foot plate slide it into the appropriate groove and screw into place using the fixings provided.

IMPORTANT NOTICES

WARNING – Make sure that the chair is placed upon a flat surface when in use.

WARNING – Do not use the highchair without checking that the bolts are securely locked into place.

WARNING – Do use the Highchair without adult supervision.

WARNING – Only use the parts provided in pack.

WARNING – Check for any obstructions before folding any moving parts as this may cause injury.

WARNING - This product is not intended for children above the age of 36 months.

CLEANING:

Clean the frame using warm water and a mild detergent.

Never use solvents or harsh chemicals to clean the Highchair as this may damage the finish.



Safe TOTS

www.safetots.co.uk

If you have problems with assembly, missing parts or other queries, please contact our customer care department

Tel: 01438 728888

Email: info@safetots.co.uk

Safetots Limited

Unit 7, 9 & 10 The Orbital Centre

Gunnels Wood Road,

Stevenage,

Hertfordshire,

SG1 2NB

WARNING! DO NOT LEAVE CHILD UNATTENDED

WARNING! Ensure that your child wears a correctly fitted harness at all times

WARNING This highchair is not suitable for children unable to sit up unaided

CARELESSNESS CAUSES FIRE

All components have been tested to ensure compliance with the relevant
ignitability tests

All components have been tested to ensure cigarette resistance

All components have been tested to ensure match resistance

Imported by Safetots, 9 Orbital Centre, Gunnelswood Road, Stevenage, Herts, GB
Designed and manufactured to EN71-1:2011, EN71-2:2011 and EN71-3:2013